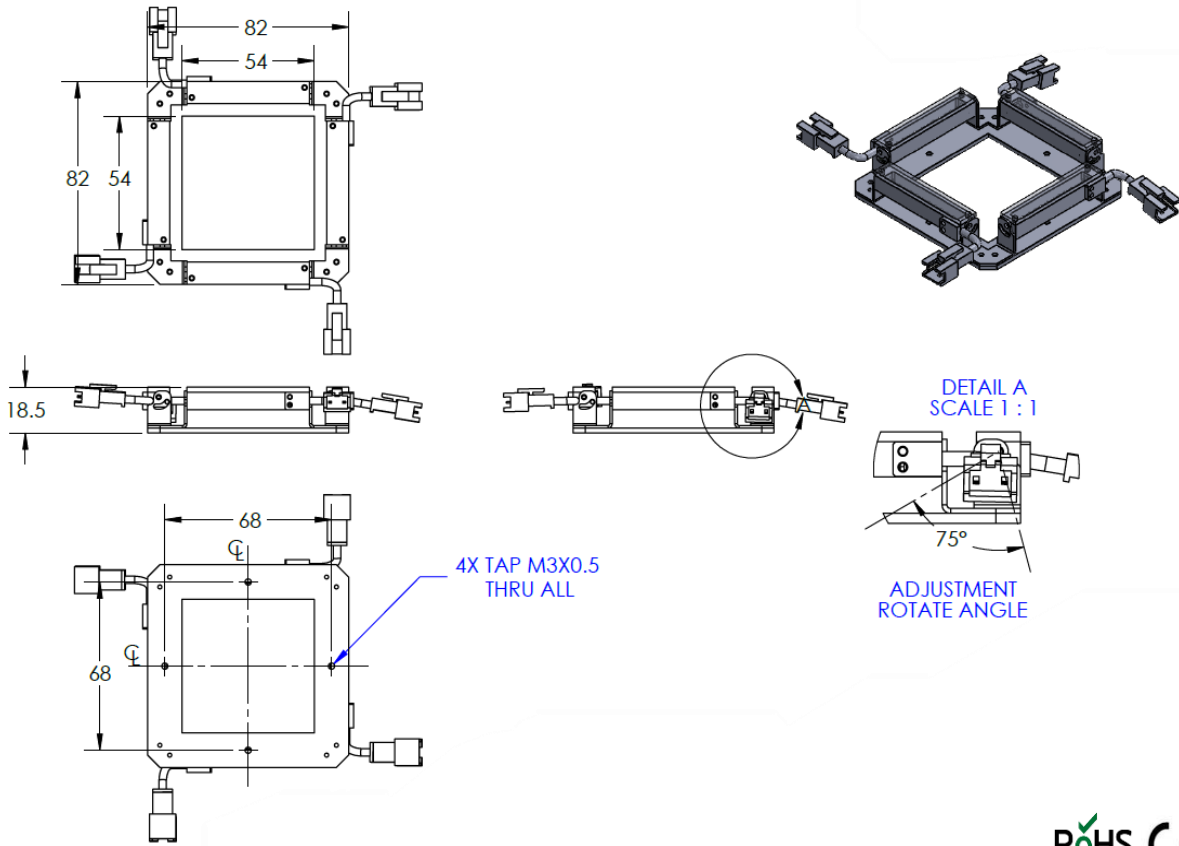




ILLUMINATOR DATA (ID)

LBMQ-00-040-1-B-24V

Lighting Dimension




Mechanical Information	
Casing Material	Aluminium
Storage Temperature Range	Temp 0-45°C, Humidity 20-85%
Weight	102 g
Length / Outer Diameter	82 mm
Width / Inner Diameter	82 mm
Thickness / Height	18.5 mm



ILLUMINATOR DATA-

LBMQ-00-040-1-B-24V

Optical Information																								
Part Number	LBMQ-00-040-1-B-24V																							
LED Color	BLUE																							
Wavelength	(nm)	470																						
Intensity (±15)	(Lux)	TBA		TBA																				
Working Distance	(mm)	10	20	30																				
Illumination (number of row)		1																						
Illumination Active Area																								
Active Length / Outer Dia.	(mm)	50																						
Active Width / Inner Dia.	(mm)	9.1																						
Emission angle	(deg.)	0																						
Eye Safety Class (IEC62471)		II																						
*Chromaticity table		<table border="1"> <tr> <td>X</td> <td>0.296</td> <td>0.287</td> <td>0.307</td> <td>0.311</td> </tr> <tr> <td>Y</td> <td>0.276</td> <td>0.295</td> <td>0.315</td> <td>0.294</td> </tr> </table> <table border="1"> <tr> <td>X</td> <td>0.311</td> <td>0.307</td> <td>0.33</td> <td>0.33</td> </tr> <tr> <td>Y</td> <td>0.294</td> <td>0.315</td> <td>0.339</td> <td>0.318</td> </tr> </table>			X	0.296	0.287	0.307	0.311	Y	0.276	0.295	0.315	0.294	X	0.311	0.307	0.33	0.33	Y	0.294	0.315	0.339	0.318
X	0.296	0.287	0.307	0.311																				
Y	0.276	0.295	0.315	0.294																				
X	0.311	0.307	0.33	0.33																				
Y	0.294	0.315	0.339	0.318																				
Electrical Information																								
Lighting Supply Voltage (constant voltage mode)		24V ± 2%																						
Continuous Current	(mA)	104																						
Power Consumption	(W)	2.29																						
Lighting casing temperature, Operating after 60 minutes	°C	TBA																						
Strobe Mode Specification																								
Pulse Operation		YES																						
Max. Lighting Supply Voltage (Constant voltage power supply)	(V)	Pulsing at 24VDC to 48VDC, 0-10% Duty Cycle Recommended at 36VDC																						
Pulse Current, (Max. 10msec) (Constant current power supply)	(mA)	312																						
Max. Trigger Pulse Duration	(msec)	10																						
Duty Cycle		0-10%																						
Additional Information																								
Additional Cooling Method		Attached to machine part for better heat dissipation																						
Intensity Controller Selection		ANG, SD, ST & SDA series																						
CE Conformity		YES																						
RoHS Compliance		YES																						
Connection																								
Connector Type (Default):		JST SMR-03V																						
Cable Length out from lighting :	(mm)	500																						
Pin Configuration :		Pin	Signal	Cable Color																				
		1	LED +	RED																				
		2	N.C.	---																				
		3	LED -	WHITE																				
																								
Application																								
Illumination Type		Direct Illumination																						
Application Use		General illumination, label inspection, character inspection, code recognition																						



VISION CONSULTANCY
MAKING THE UNSEEN VISIBLE

Thank you for downloading this document from
www.machine-vision-shop.com

If you have any questions, you need help composing the
right package for your application or do you want to order?

Feel free to contact us via e-mail at sales@vision-consultancy.nl or visit our webshop.

Our vision experts are happy to help you.



Natascha Overhof



Christian Cromptvoets



VISION CONSULTANCY

Robert Schumandomein 2
6229 ES Maastricht
The Netherlands

+31 (0) 438 522 651

sales@vision-consultancy.nl
www.machine-vision-shop.com

Scan me to visit
[machine-vision-shop](http://machine-vision-shop.com)

